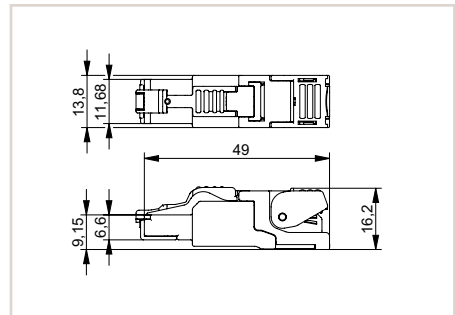
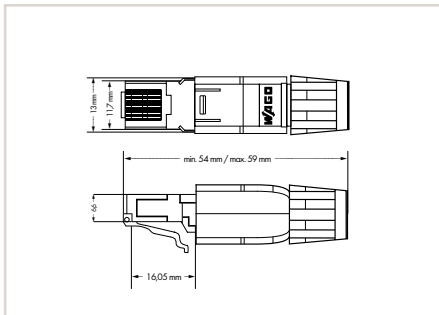
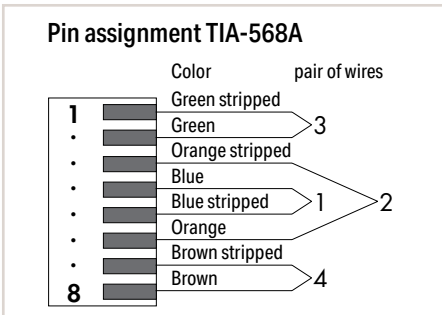


ETHERNET Connector; Code T568A



Item Description
Version
Item No.
Order Text

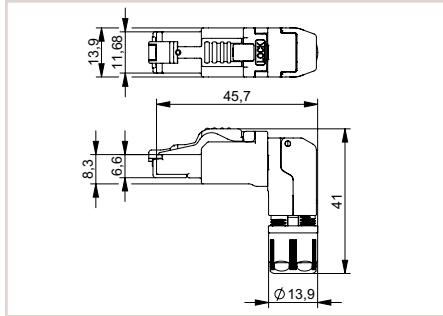
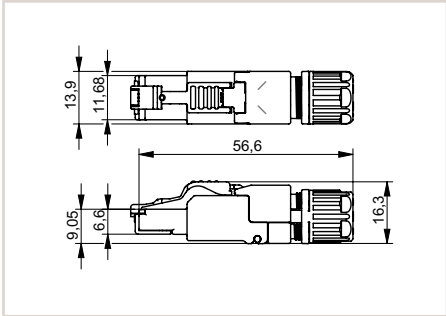
ETHERNET Connector; RJ-45; Cat. 5; Straight; Code T568A
AWG22
750-975
Connector ETHERNET; RJ45; Cat.5; 180°; T568A AWG22

ETHERNET Connector; RJ-45; Cat. 6A; Straight; Code T568A	
AWG22	AWG24
750-977/000-011	750-977/000-021
Connector ETHERNET; RJ-45; Cat.6A; 180°; T568A; AGW22	Connector ETHERNET; RJ-45; Cat.6A; 180°; T568A; AGW24

Technical Data	
Cable category	Cat. 5e
Data transmission rate (max.)	1 GBit/s
Code	TIA-568A
Cable exit	180°
Pole No.	8
Housing material	Plastic
Mating cycles	> 1000
Conductor connection	IDC (Insulation Displacement Contact)
Conductor cross sections	Solid: 0.13 ... 0.24 mm ² / 26/1 ... 23/1 AWG; Stranded: 0.14 ... 0.36 mm ² / 26/7 ... 22/7 AWG
Cable jacket diameter	4.5 ... 8 mm
Cable strain relief	Screw clamp connection
Shield connection	> 180°
Surrounding air temperature (operation)	-20 ... +70 °C
Surrounding air temperature (storage)	-40 ... +70 °C
Relative humidity	95 %; non condensing
Protection type	IP20
Standards/specifications	Basic standard: IEC 60603-7 RJ-45 Category 5; CD ISO/IEC 11801: 2002; EN 50173: 2002; EIA/TIA 568A: 2002; UL 1863
Approvals	Marine
Data sheet and further information, see:	wago.com/750-975

ETHERNET Connector; RJ-45; Cat. 6A; Straight; Code T568A	
Cable category	Cat. 6A
Data transmission rate (max.)	10 GBit/s
Code	TIA-568A
Cable exit	180°
Pole No.	8
Housing material	Zinc die-cast
Mating cycles	> 750
Conductor connection	IDC (Insulation Displacement Contact)
Conductor cross sections	Solid: 0.21 ... 0.32 mm ² / 24/1 ... 22/1 AWG; Stranded: 0.11 ... 0.36 mm ² / 27/7 ... 22/7 AWG
Cable jacket diameter	5.5 ... 9 mm
Cable strain relief	Screw clamp connection
Shield connection	> 180°
Surrounding air temperature (operation)	-40 ... +85 °C
Surrounding air temperature (storage)	-40 ... +85 °C
Relative humidity	95 %; non condensing
Protection type	IP20
Standards/specifications	IEC60603-7-51; ISO/IEC 11801; IEEE 802.3an; EIA/TIA 568-C.2; DIN EN 50173-1; UL 1863; UL 2043
Approvals	Marine
Data sheet and further information, see:	wago.com/750-977/000-011

ETHERNET Connector; RJ-45; Cat. 6A; Straight; Code T568A	
Cable category	Cat. 6A
Data transmission rate (max.)	10 GBit/s
Code	TIA-568A
Cable exit	180°
Pole No.	8
Housing material	Zinc die-cast
Mating cycles	> 750
Conductor connection	IDC (Insulation Displacement Contact)
Conductor cross sections	Solid: 0.13 ... 0.21 mm ² / 26/1 ... 24/1 AWG; Stranded: 0.11 ... 0.23 mm ² / 27/7 ... 24/7 AWG
Cable jacket diameter	5.5 ... 9 mm
Cable strain relief	Screw clamp connection
Shield connection	> 180°
Surrounding air temperature (operation)	-40 ... +85 °C
Surrounding air temperature (storage)	-40 ... +85 °C
Relative humidity	95 %; non condensing
Protection type	IP20
Standards/specifications	IEC60603-7-51; ISO/IEC 11801; IEEE 802.3an; EIA/TIA 568-C.2; DIN EN 50173-1; UL 1863; UL 2043
Approvals	Marine
Data sheet and further information, see:	wago.com/750-977/000-021



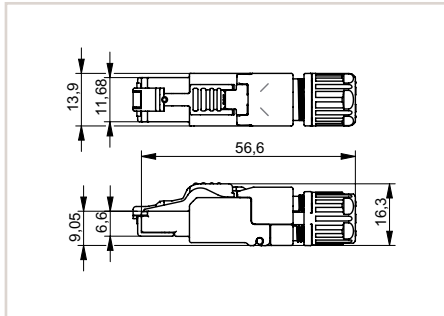
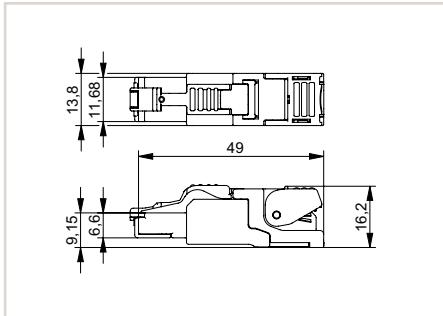
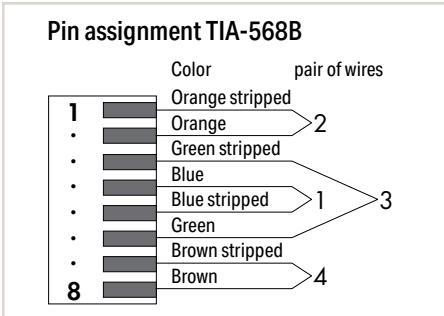
ETHERNET Connector; RJ-45; Cat. 6A; Straight; Code T568A; Strain relief	
AWG22	AWG24
750-978/000-011	750-978/000-021
Connector ETHERNET; RJ-45; Cat.6A; 180°; T568A; AGW22; Strain relief	Connector ETHERNET; RJ-45; Cat.6A; 180°; T568A; AGW24; Strain relief

ETHERNET Connector; RJ-45; Cat. 6A; Angled; Code T568A; Strain relief	
AWG22	AWG24
750-979/000-011	750-979/000-021
Connector ETHERNET; RJ-45; Cat.6A; 90°; T568A; AGW22; Strain relief	Connector ETHERNET; RJ-45; Cat.6A; 90°; T568A; AGW24; Strain relief

Cat. 6A	
10 GBit/s	
TiA-568A	
180°	
8	
Zinc die-cast	
> 750	
IDC (Insulation Displacement Contact)	
Solid: 0.21 ... 0.32 mm ² / 24/1 ... 22/1 AWG;	Solid: 0.13 ... 0.21 mm ² / 26/1 ... 24/1 AWG;
Stranded: 0.11 ... 0.36 mm ² / 27/7 ... 22/7 AWG	Stranded: 0.11 ... 0.23 mm ² / 27/7 ... 24/7 AWG
5.5 ... 10 mm	
Screw clamp connection	
360°	
-40 ... +85 °C	
-40 ... +85 °C	
95 %; non condensing	
IP20	
IEC60603-7-51; ISO/IEC 11801; IEEE 802.3an; EIA/TIA 568-C.2; DIN EN 50173-1; UL 1863; UL 2043	
wago.com/ 750-978/000-011	wago.com/ 750-978/000-021

Cat. 6A	
10 GBit/s	
TiA-568A	
90°; selectable position	
8	
Zinc die-cast	
> 750	
IDC (Insulation Displacement Contact)	
Solid: 0.21 ... 0.32 mm ² / 24/1 ... 22/1 AWG;	Solid: 0.13 ... 0.21 mm ² / 26/1 ... 24/1 AWG;
Stranded: 0.11 ... 0.36 mm ² / 27/7 ... 22/7 AWG	Stranded: 0.11 ... 0.23 mm ² / 27/7 ... 24/7 AWG
5.5 ... 10 mm	
Screw clamp connection	
360°	
-40 ... +85 °C	
-40 ... +85 °C	
95 %; non condensing	
IP20	
IEC60603-7-51; ISO/IEC 11801; IEEE 802.3an; EIA/TIA 568-C.2; DIN EN 50173-1; UL 1863; UL 2043	
wago.com/ 750-979/000-011	wago.com/ 750-979/000-021

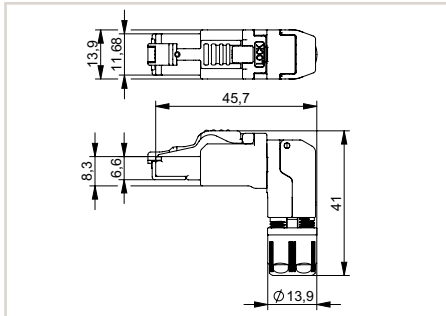
ETHERNET Connector; Code T568B



Item Description	ETHERNET Connector; RJ-45; Cat. 6A; Straight; Code T568B		ETHERNET Connector; RJ-45; Cat. 6A; Straight; Code T568B; Strain relief	
Version	AWG22		AWG24	
Item No.	750-977/000-012	750-977/000-022	750-978/000-012	750-978/000-022
Order Text	Connector ETHERNET; RJ-45; Cat.6A; 180°; T568B; AWG22	Connector ETHERNET; RJ-45; Cat.6A; 180°; T568B; AWG24	Connector ETHERNET; RJ-45; Cat.6A; 180°; T568B; AWG22; Strain relief	Connector ETHERNET; RJ-45; Cat.6A; 180°; T568B; AWG24; Strain relief

Technical Data	ETHERNET Connector; RJ-45; Cat. 6A; Straight; Code T568B		ETHERNET Connector; RJ-45; Cat. 6A; Straight; Code T568B; Strain relief	
Cable category	Cat. 6A		Cat. 6A	
Data transmission rate (max.)	10 GBit/s		10 GBit/s	
Code	TIA-568B		TIA-568B	
Cable exit	180°		180°	
Pole No.	8		8	
Housing material	Zinc die-cast		Zinc die-cast	
Mating cycles	> 750		> 750	
Conductor connection	IDC (Insulation Displacement Contact)		IDC (Insulation Displacement Contact)	
Conductor cross sections	Solid: 0.21 ... 0.32 mm ² / 24/1 ... 22/1 AWG; Stranded: 0.11 ... 0.36 mm ² / 27/7 ... 22/7 AWG	Solid: 0.13 ... 0.21 mm ² / 26/1 ... 24/1 AWG; Stranded: 0.11 ... 0.23 mm ² / 27/7 ... 24/7 AWG	Solid: 0.21 ... 0.32 mm ² / 24/1 ... 22/1 AWG; Stranded: 0.11 ... 0.36 mm ² / 27/7 ... 22/7 AWG	Solid: 0.13 ... 0.21 mm ² / 26/1 ... 24/1 AWG; Stranded: 0.11 ... 0.23 mm ² / 27/7 ... 24/7 AWG
Cable jacket diameter	5.5 ... 9 mm		5.5 ... 10 mm	
Cable strain relief			Screw clamp connection	
Shield connection	360°		360°	
Surrounding air temperature (operation)	-40 ... +85 °C		-40 ... +85 °C	
Surrounding air temperature (storage)	-40 ... +85 °C		-40 ... +85 °C	
Relative humidity	95 %; non condensing		95 %; non condensing	
Protection type	IP20		IP20	
Standards/specifications	IEC60603-7-51; ISO/IEC 11801; IEEE 802.3an; EIA/TIA 568-C.2; DIN EN 50173-1; UL 1863; UL 2043		IEC60603-7-51; ISO/IEC 11801; IEEE 802.3an; EIA/TIA 568-C.2; DIN EN 50173-1; UL 1863; UL 2043	

Approvals	ETHERNET Connector; RJ-45; Cat. 6A; Straight; Code T568B		ETHERNET Connector; RJ-45; Cat. 6A; Straight; Code T568B; Strain relief	
Data sheet and further information, see:	wago.com/ 750-977/000-012	wago.com/ 750-977/000-022	wago.com/ 750-978/000-012	wago.com/ 750-978/000-022



ETHERNET Connector; RJ-45; Cat. 6A; Angled; Code T568B; Strain relief

AWG22	AWG24
750-979/000-012	750-979/000-022
Connector ETHERNET; RJ-45; Cat.6A; 90°; T568B; AWG22; Strain relief	Connector ETHERNET; RJ-45; Cat.6A; 90°; T568B; AWG24; Strain relief

Cat. 6A	
10 GBit/s	
TiA-568B	
90°; selectable position	
8	
Zinc die-cast	
> 750	
IDC (Insulation Displacement Contact)	
Solid: 0.21 ... 0.32 mm ² / 24/1 ... 22/1 AWG;	Solid: 0.13 ... 0.21 mm ² / 26/1 ... 24/1 AWG;
Stranded: 0.11 ... 0.36 mm ² / 27/7 ... 22/7 AWG	Stranded: 0.11 ... 0.23 mm ² / 27/7 ... 24/7 AWG
5.5 ... 10 mm	
Screw clamp connection	
360°	
-40 ... +85 °C	
-40 ... +85 °C	
95 %; non condensing	
IP20	
IEC60603-7-51; ISO/IEC 11801; IEEE 802.3an; EIA/TIA 568-C.2; DIN EN 50173-1; UL 1863; UL 2043	
wago.com/ 750-979/000-012	wago.com/ 750-979/000-022